

Specification Submittal Data / Panasonic Ventilation Fan

Description

Ventilating fan shall be Low Noise ceiling mount type rated for continuous operation. Fan shall be ENERGY STAR rated and certified by the Home Ventilating Institute (HVI). Fan shall include energy efficient compact fluorescent lighting. Evaluated by Underwriters Laboratories and conform to both UL and cUL safety standards.

Motor/Blower:

- Four-pole totally enclosed condenser motor rated for continuous use.
- Power Rating shall be 120 volts and 60 Hz.
- Fan shall be UL and cUL listed for tub/shower enclosure when used with a GFCI protected circuit and used in insulated ceiling (TYPE I.C.)
- Motor equipped with thermal-cut-off fuse.
- Removable with permanently lubricated plug-in motor.

Housing:

- Rust proof paint, galvanized steel body.
- Detachable dual 4" or 6" diameter duct adaptor.
- Built in backdraft damper.
- Built-in metal flange provides blocking for penetrations through drywall as an Air Barrier, and assists with the decrease in leakage in the Building Envelope during blower door testing.
- Double hanger bar system allowing for ideal positioning.
- Expandable extension bracket up to 24".

Grille:

- Attractive design using PP material.
- Attaches directly to housing with torsion springs.

Light:

- Two 13 Watt self-ballasted GU24 base compact fluorescent lamps included.
- One 4-Watt night-light included.
- FCC Part 18 compliant.

Warranty:

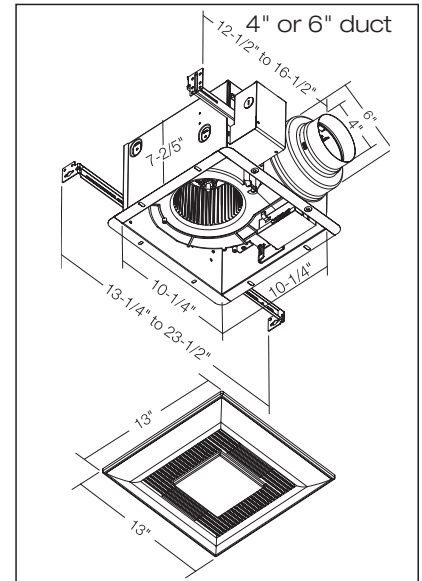
- ALL Parts: For period of 3 years from the date of the original purchase. Compact Fluorescent Lamp (CFL): 1 year. Night Light Lamps: No Warranty.

Architectural Specifications:

Ventilation fan and light shall be of the ceiling mount, ENERGY STAR rated type, with no less than 110 CFM and no more than 0.5 sone as certified by the Home Ventilating Institute (HVI) at 0.1 static pressure in inches water gauge(w.g.) with no less than 90 CFM and no more than 0.6 sone as certified by HVI at .25 w.g. Power Consumption shall be no greater than 23.4 watts at 0.1 w.g and 23.0 watts at 0.25 w.g. ENERGY STAR rated efficiency of no less than 4.7 CFM/watt at 0.1 w.g. and 3.9 CFM/watt at 0.25 w.g. The motor shall be totally enclosed, four pole condenser type engineered to operate continuously. Power rating shall be 120v/60Hz. Included is an integrated dual 4" or 6" diameter duct adaptor. Duct diameter shall be no less than 4". Fan shall be UL and cUL listed for tub/shower enclosure when used with a GFCI protected circuit. Fan may be used to comply with ASHRAE 62.2, LEED, ENERGY STAR IAP, EarthCraft, California Title-24 and WA Ventilation Code. Lamps shall be of the compact fluorescent type and utilize no less than two 13 Watt ESTAR rated, self-ballasted GU24 base compact fluorescent lamps. Night-light feature shall be included.



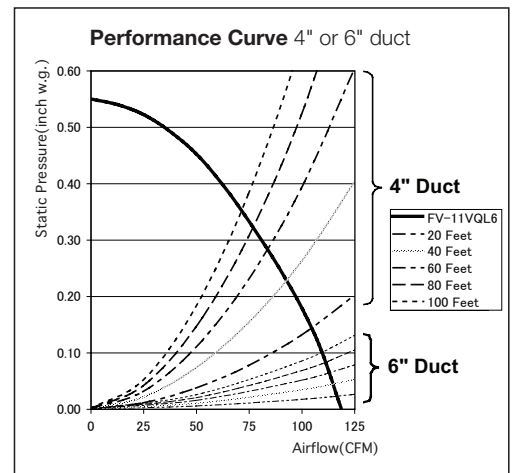
* (2) 13W self-ballasted GU24 base CFL lamps included



FV-11VQL6

Specifications: WhisperLite FV-11VQL6		4" or 6" Duct (Standard)	
Ventilation Fan Characteristics (HVI tested data for 0.1" S.P.)	Static Pressure in inches w.g.	0.1	0.25
	Air Volume (CFM)	110	90
	Noise (sones)	0.5	0.6
	Power Consumption (watts)	23.4	23.0
	Energy Efficiency (CFM/Watt)	4.7	3.9
	Speed (RPM)	1006	1193
	Current (amps)	0.20	0.19
	Power Rating (V/Hz)	120/60	
	ENERGY STAR rated	YES	

0.25=Installed Performance



For complete Installation Instructions visit us.panasonic.com/ventfans

Model	Quantity	Comments	Project:
			Location:
			Architect:
			Engineer:
			Contractor:
			Submitted by:
			Date:

Panasonic Eco Solutions Company of North America
Eco Products Division
Two Riverfront Plaza
Newark, NJ 07102

us.panasonic.com/ventfans

